

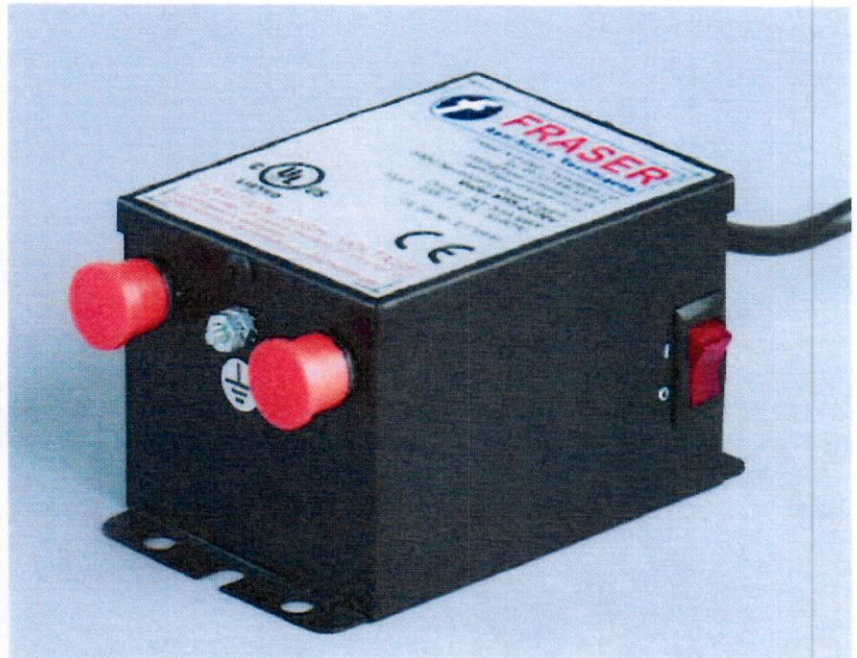
# POWER UNITS

## 9055-2 110V OR 230V POWER UNIT

The 9055-2 Power Unit has a compact design and is suitable for powering up to two static eliminators.

It supplies the high voltage which produces the ionisation in Fraser Bars, Blowers, Guns etc.

- > Compact size.
- > UL Listed, CE Compliant for worldwide use.
- > The 9055-2 110V and the 9055-2 230V UL produce high voltage, low current in a controlled and safe way to provide the power for Fraser AC static eliminators.
- > They have external connections for up to two static eliminators. The standard bayonet high voltage connections are simple and fast to use.
- > Can be used with 50Hz and 60Hz, which is especially useful for machinery manufacturers exporting worldwide.



### Specification

<b>Construction:</b>	Powder coated steel case. Shunt core transformer with totally encapsulated windings.
<b>Dimensions:</b>	89mm x 128mm x 82mm.
<b>Output:</b>	5.5kV. Max 5mA.
<b>Input:</b>	230V, 50/60Hz or 110V 50/60Hz Current: 0.1A. Current: 0.2A Illuminated mains switch. 2.2m mains cable.
<b>Maximum Load:</b>	1250 Bar and derivatives: 12m of combined Bar and HT cable. 4100 Ionised Airgun: 1 Gun with 10m HT cable or 2 Guns each with 5m HT cable.
<b>Safety:</b>	The design is current limited to 5mA. If more current is drawn then the windings will shut down. Power will restart when the excessive load or fault is removed.
<b>Positioning:</b>	The location should be dry and oil-free. Max Temperature 50°C.

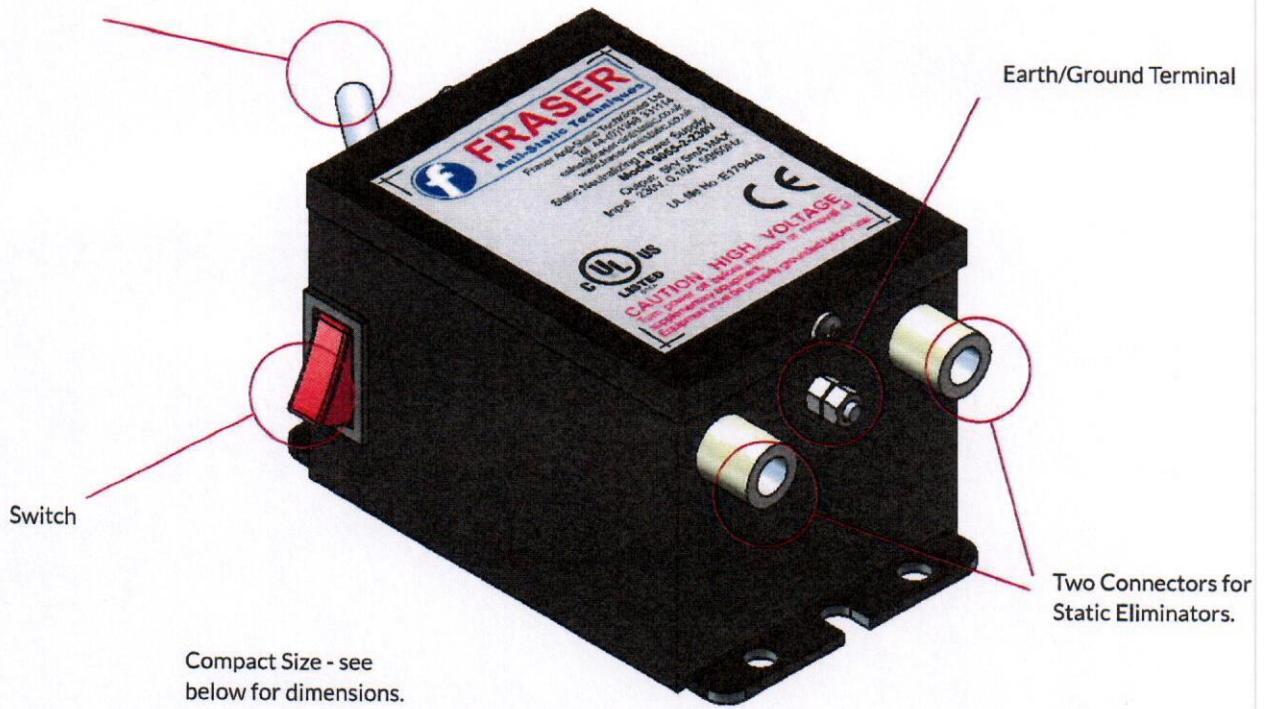
BOUSSEY CONTROL EUROPE - Jacob Lacopstraat 36 Bus 101 - 9700 Oudenaarde - Belgium

☎ +32 55 423953 - 📠 + 32 55 612101

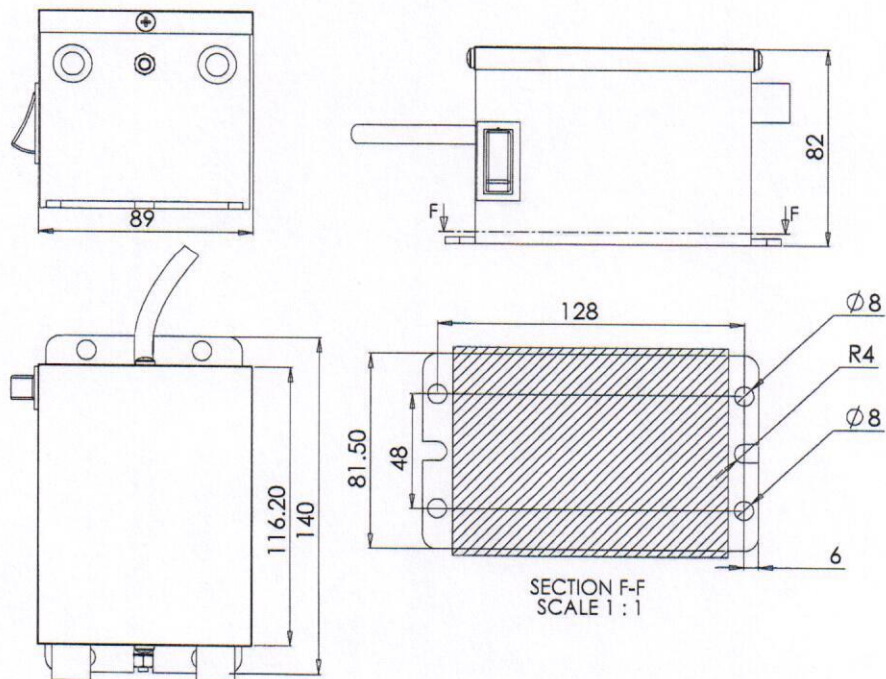
Email: [info@boussey-control.eu](mailto:info@boussey-control.eu) – Site Internet: [www.boussey-control.com](http://www.boussey-control.com)

## Features:

Mains cable 2.2m long.



## Dimensions:



BOUSSEY CONTROL EUROPE - Jacob Lacopstraat 36 Bus 101 - 9700 Oudenaarde - Belgium

☎ +32 55 423953 - 📠 + 32 55 612101

Email: [info@boussey-control.eu](mailto:info@boussey-control.eu) - Site Internet: [www.boussey-control.com](http://www.boussey-control.com)