

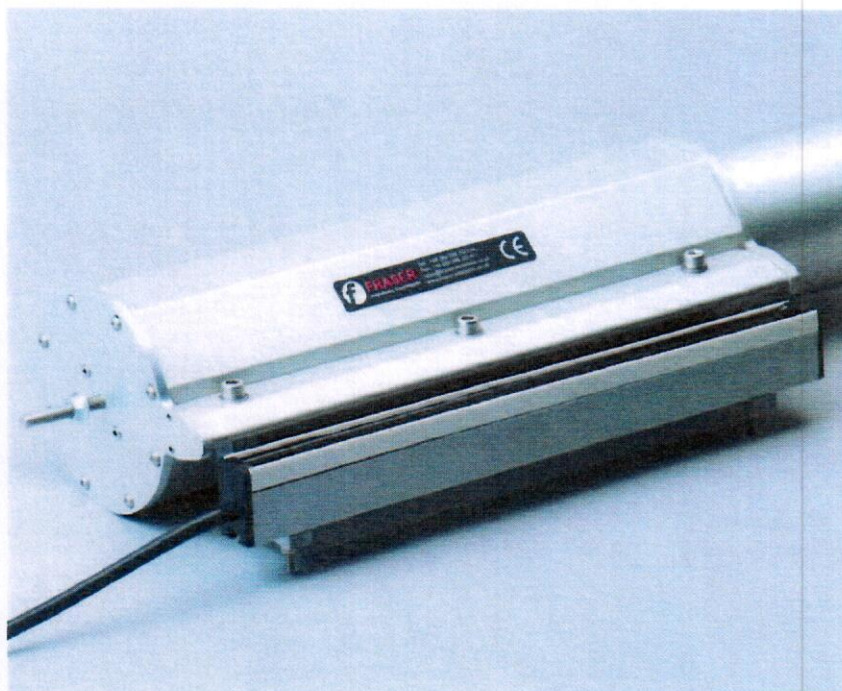
# ANTI-STATIC BARS

## 5500 IONISED AIRKNIVES

High performance fan-driven Ionised Airknives for static neutralisation and cleaning of mouldings, glass, automobiles and other large objects.

The blower produces a high volume of air which exits from the airknife in a fast laminar flow. Fraser design and supply 5500 Ionised Airknife Systems to meet the most demanding applications.

- > The system consists of one or more ionised airknives connected to an external blower.
- > Static neutralisation power - up to 50% better than competitive systems - to break the electrostatic bond between the dust and surface and to prevent re-attraction of dust.
- > Air cleaning speed of 110m/sec at the slot of the airknife for thorough and powerful cleaning.
- > Longer range cleaning power than compressed air systems.
- > More performance per kilowatt of power. For example, competitors offer 7.5kW motors to match the performance of our 5.5kW motors - saving the customer money every minute of operation.
- > Cost saving of up to 70% compared to other systems.



### Fan Driven Ionised Airknives:

<b>Purchase Cost:</b>	2 x 500mm 5500 Ionised Airknives, a 5.5kW Blower & 5m pipework.	€4,500.00
<b>Running Cost:</b>	5.5kW at €0.10/kW/hr	€4.40 per 8 hour day
<b>Purchase Cost:</b>	A compressed airknife system consisting of 2 x 500mm Ionised Airknives.	€1,450.00
<b>Running Cost:</b>	At 7 Bar pressure a typical compressor generates 150 liters per kW and a typical 500mm compressed airknife uses over 2000 lit/min. For 2 x 500mm airknives this is the equivalent of a 26kW compressor running continuously. 26kW @€0.10/kW/hr	€20.80 per 8 hour day

### Payback in 6 Months

On this basis the extra purchase cost of €3050.00 is paid back in 186 Days.

BOUSSEY CONTROL EUROPE - Jacob Lacopstraat 36 Bus 101 - 9700 Oudenaarde - Belgium

☎ +32 55 423953 - 📠 + 32 55 612101

Email: [info@boussey-control.eu](mailto:info@boussey-control.eu) – Site Internet: [www.boussey-control.com](http://www.boussey-control.com)

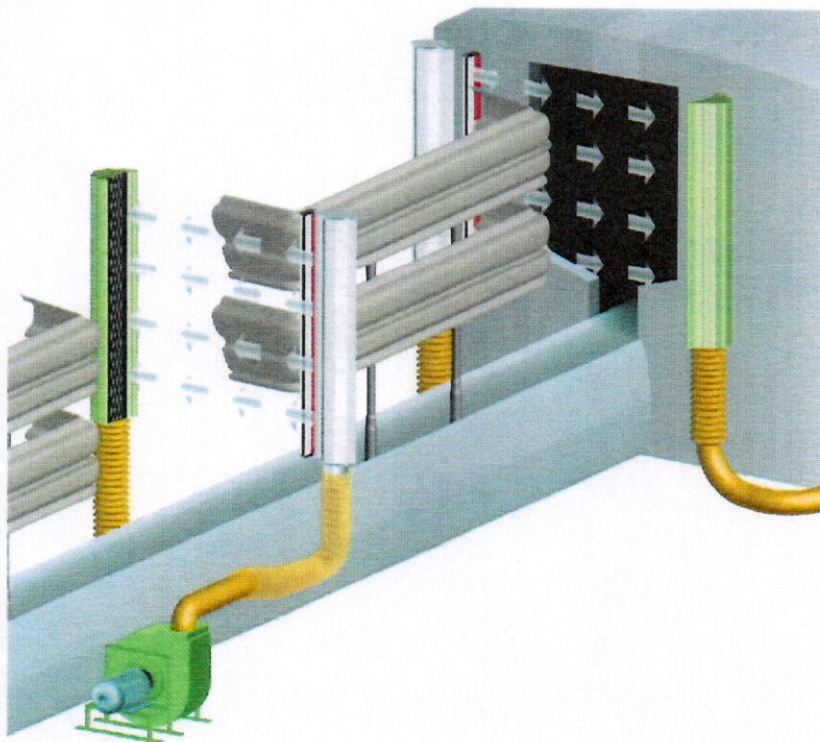
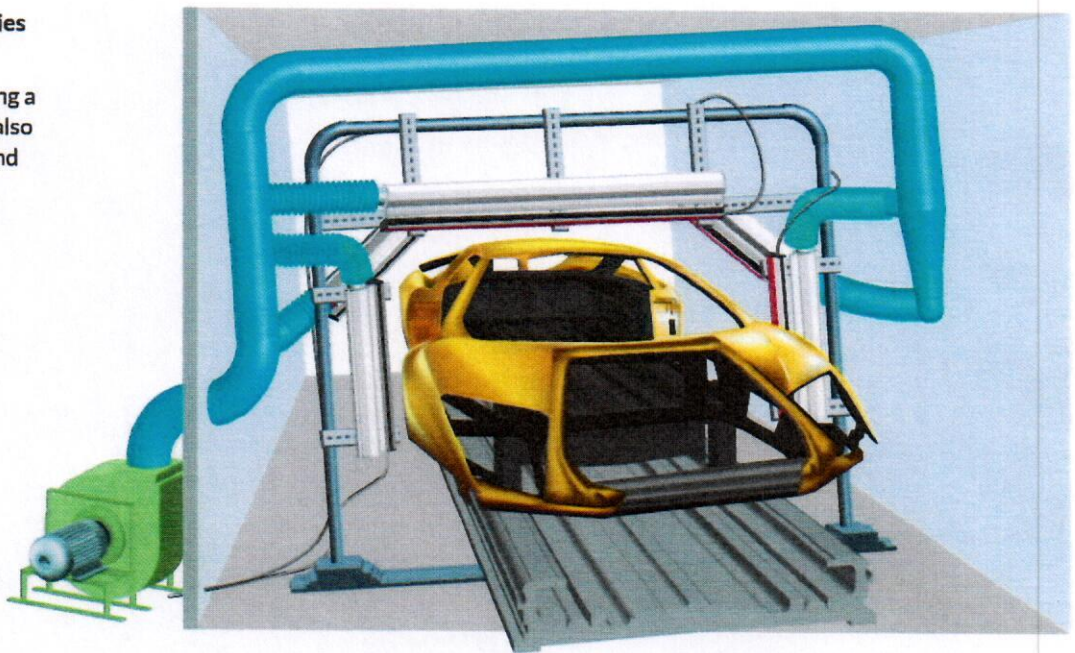
## 5500 Eliminates Dust Contamination

Dust contamination is a huge problem in many areas of industry - especially where the product has to be painted, decorated or laminated. Rectifying dust problems can have a very high cost:

- > a large car manufacturer calculated the cost of repainting a car at over €3000.
- > a dust contaminated bumper costs over €150 to repaint.
- > a customer who makes aircraft cockpits reckons the cost of dust included in lamination could be as high as €50,000.

### Automotive Industries

5500 System Cleaning a Car Body. They are also suitable for trucks and coaches.



5500 System cleaning car bumpers immediately before they enter the spraybooth. They can be used with or without dust collection. Other automobile parts cleaned by 5500 Systems include fascias, lamp assemblies, body panels, caravan ends, truck cabs and many others.

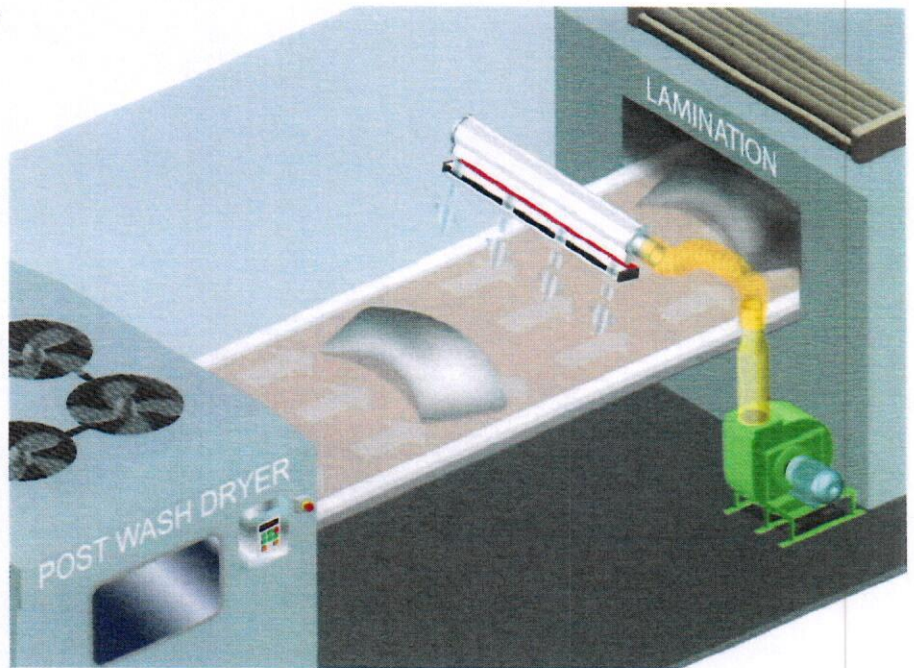
BOUSSEY CONTROL EUROPE - Jacob Lacopstraat 36 Bus 101 - 9700 Oudenaarde - Belgium

☎ +32 55 423953 - 📠 + 32 55 612101

Email: [info@boussey-control.eu](mailto:info@boussey-control.eu) – Site Internet: [www.boussey-control.com](http://www.boussey-control.com)

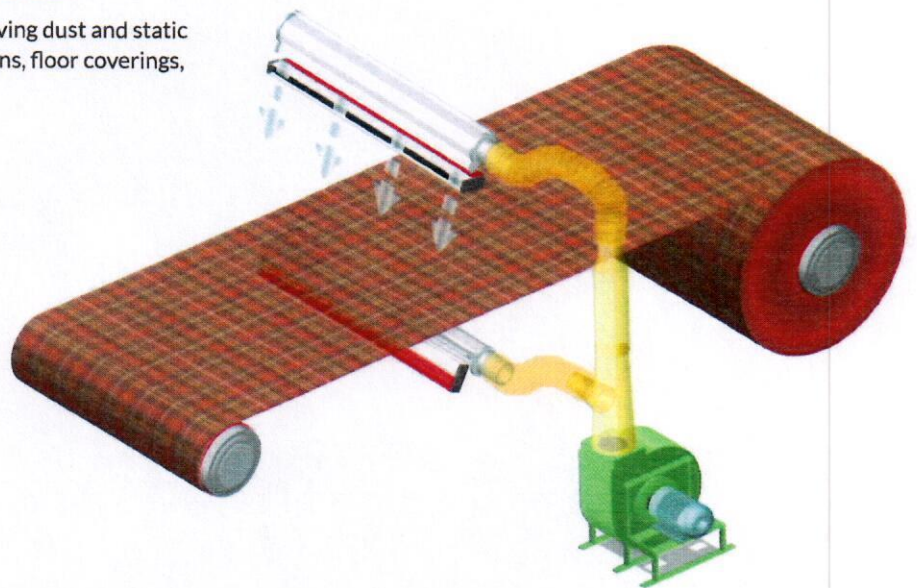
### Fraser 5500 Ionised Airknives on Glass

5500 System Cleaning a  
From laminated automobile  
glass to the cockpits of jet  
aircraft - Fraser 5500 Airknives  
remove contaminants and  
prevent the re-attraction of dust.



### Eliminating Dust and Static on Sheets and Webs

5500 Ionised airknives are used for removing dust and static  
from plastic sheets, textile webs, extrusions, floor coverings,  
and many other large products.



### The Next Step

---

- > Send an outline of your requirement direct to Fraser, or to one of Fraser's worldwide distributors
- > If we require any further information we will contact you before submitting a costed proposal.

---

BOUSSEY CONTROL EUROPE - Jacob Lacopstraat 36 Bus 101 - 9700 Oudenaarde - Belgium

☎ +32 55 423953 - 📠 + 32 55 612101

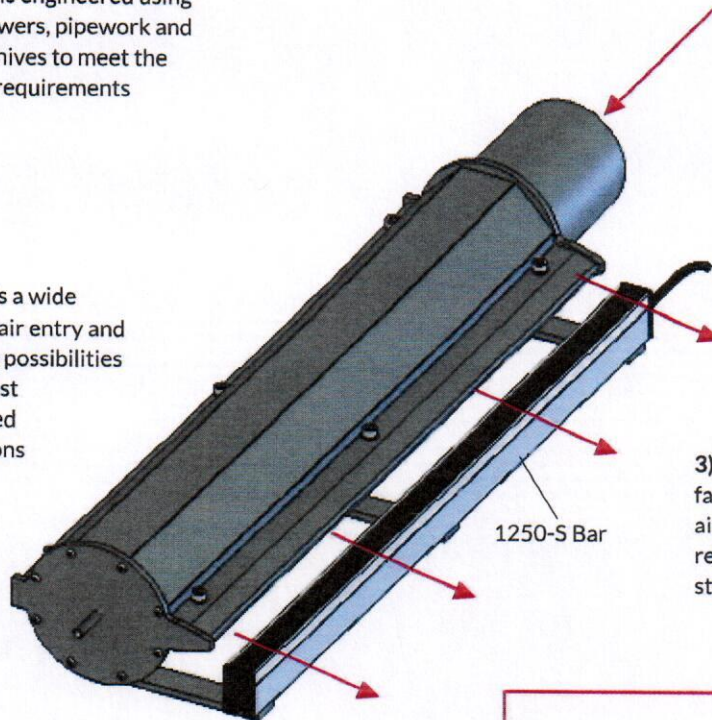
Email: [info@boussey-control.eu](mailto:info@boussey-control.eu) – Site Internet: [www.boussey-control.com](http://www.boussey-control.com)

## How it Works

1) A system is engineered using the best blowers, pipework and ionised airknives to meet the customer's requirements

2) Air from the Blower enters the air knife at the correct pressure and volume for maximum performance.

5) There is a wide choice of air entry and mounting possibilities for the best engineered installations

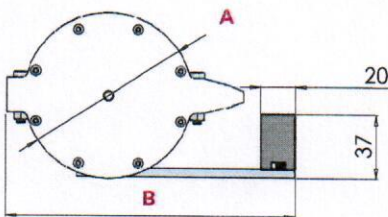


3) The air exits from the 5500 in a fast-moving linear beam. With an airspeed of over 110m/sec it removes the most stubborn statically attracted dust.

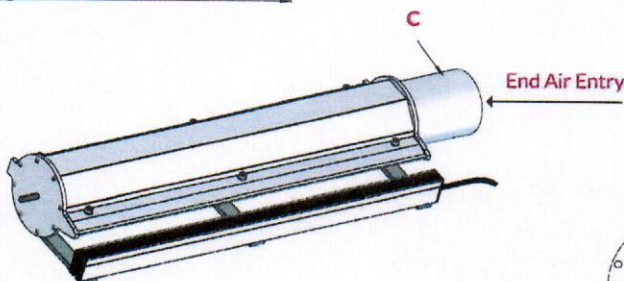
4) The 1250-S Static Eliminator Bar ionises the air as it passes over, giving it the power to neutralise static charge. The 1250-S Bar is the most powerful static eliminator bar fitted to airknives, giving it unequalled performance.

A complete range of accessories is available, including filters, pipework, flow valves, silencers, acoustic enclosures and remote monitoring.

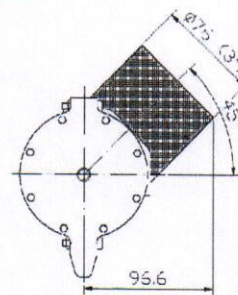
## Dimensions



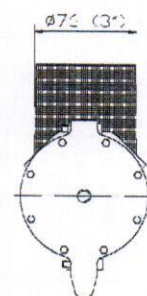
	A	B	C
Standard 5500	96mm $\varnothing$	165mm	76mm
Compact 5500	68mm $\varnothing$	127mm	50mm



### Air Entry Options



45° Air Entry



180° Air Entry

The air entries can be positioned in the body of the Airknife, or at either end. For 5500 Airknives over 1m in length 2 air entries are required.

BOUSSEY CONTROL EUROPE - Jacob Lacopstraat 36 Bus 101 - 9700 Oudenaarde - Belgium

+32 55 423953 - +32 55 612101

Email: [info@boussey-control.eu](mailto:info@boussey-control.eu) - Site Internet: [www.boussey-control.com](http://www.boussey-control.com)