

# DUST & STATIC

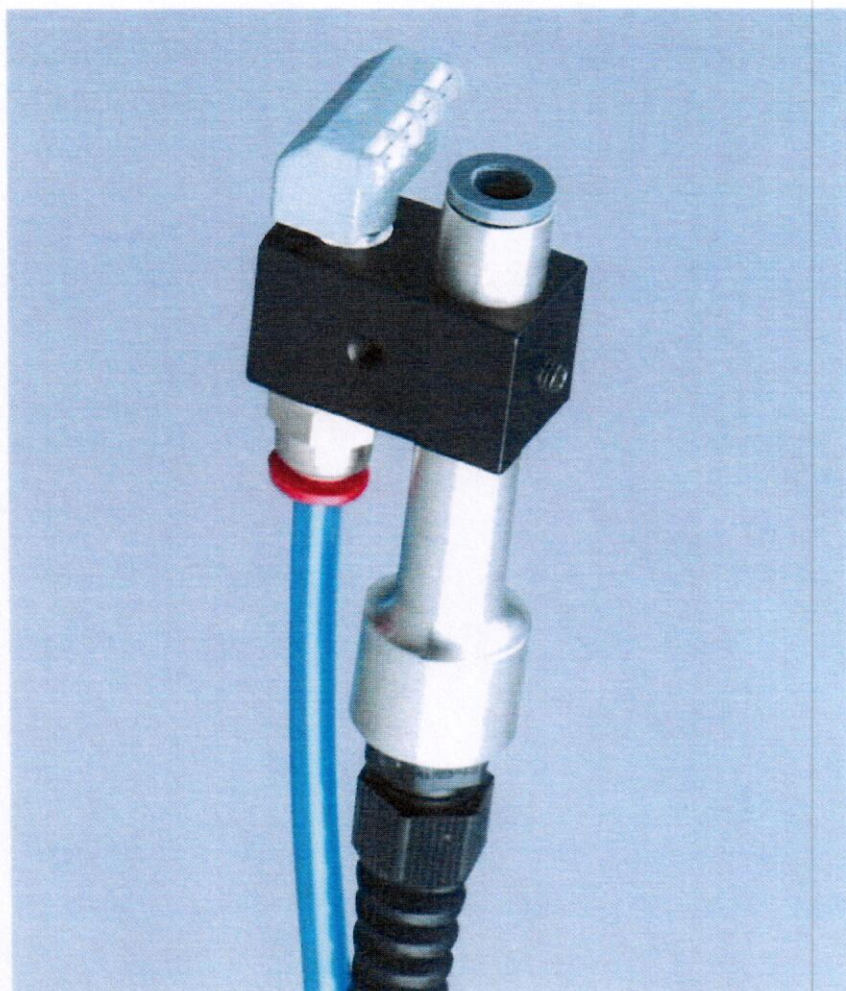
## 4400 IONISED AIR NOZZLE

The 4400 is a compact, highly efficient ionised air jet which consists of a 1260 Single Point Ionising Bar and a proprietary air nozzle, mounted in a metal block.

The 4400 Ionised Air Nozzle is ideal for cleaning and neutralising the static charge on small product.

It is also used for sheet separation, where its thin but wide airstream is effective at separating sheets and neutralising the static charge in them.

- > Huge amount of ionisation produced by the 1260 Single Point Ioniser - sufficient to neutralise the highest static charges.
- > Compact, high thrust air jet for powerful cleaning and removal of statically attracted dust and contaminants.
- > Safety nozzle, OSHA compliant.
- > Low noise: 14-16 dBA lower than 4mm open pipe.
- > Low Air consumption: 23 - 36% lower than a 4mm open pipe.
- > Mounting: threaded M4 through hole in middle of body.
- > All parts repairable/replaceable.



### Specification

<b>Materials:</b>	1260: Stainless steel tube and PVC insert, Tungsten emitter. Body: black anodised aluminium. Air Nozzle: zinc casting.
<b>Air Connection:</b>	1/8 female thread in black body.
<b>Electrical:</b>	2m of HT cable - longer lengths can be ordered.
<b>Power Unit:</b>	Use with Fraser 5.5kV & 6kV HP Power Units.
<b>Environment:</b>	60°C max. 70% rH non-condensing max.

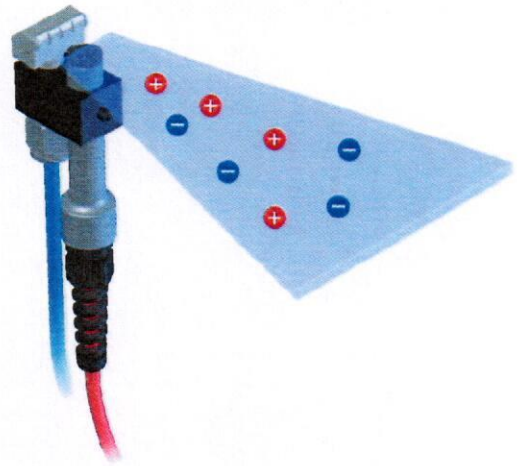
BOUSSEY CONTROL EUROPE - Jacob Lacopstraat 36 Bus 101 - 9700 Oudenaarde - Belgium

☎ +32 55 423953 - 📠 + 32 55 612101

Email: [info@boussey-control.eu](mailto:info@boussey-control.eu) – Site Internet: [www.boussey-control.com](http://www.boussey-control.com)

## How it works:

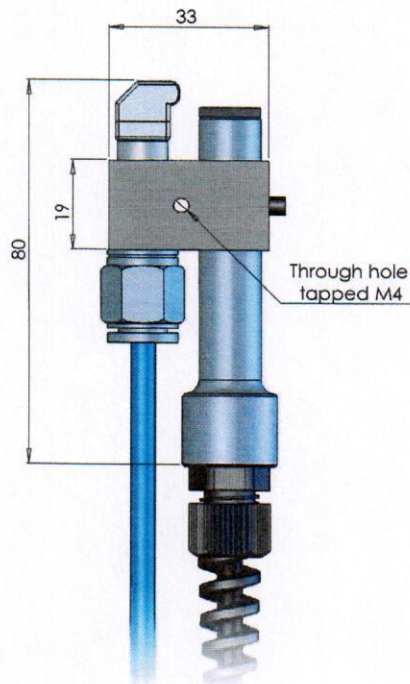
Ionised air from the 1260 Single Point Ionising Bar is transported at speed by the compressed air from the nozzle. The ionisation kills the static charge allowing the fast air to remove the dust.



## Air Consumption

Pressure	Consumption	Noise	Thrust
2 Bar	9.0Nm <sup>3</sup> /h	71.1 dBA	1.3 N
4 Bar	15.5Nm <sup>3</sup> /h	78.1 dBA	2.6 N
6 Bar	22.7Nm <sup>3</sup> /h	82.8 dBA	3.9 N
<b>Max 8 Bar</b>	-	-	-

## 4400 Dimensions



BOUSSEY CONTROL EUROPE - Jacob Lacopstraat 36 Bus 101 - 9700 Oudenaarde - Belgium

☎ +32 55 423953 - 📠 + 32 55 612101

Email: [info@boussey-control.eu](mailto:info@boussey-control.eu) – Site Internet: [www.boussey-control.com](http://www.boussey-control.com)