

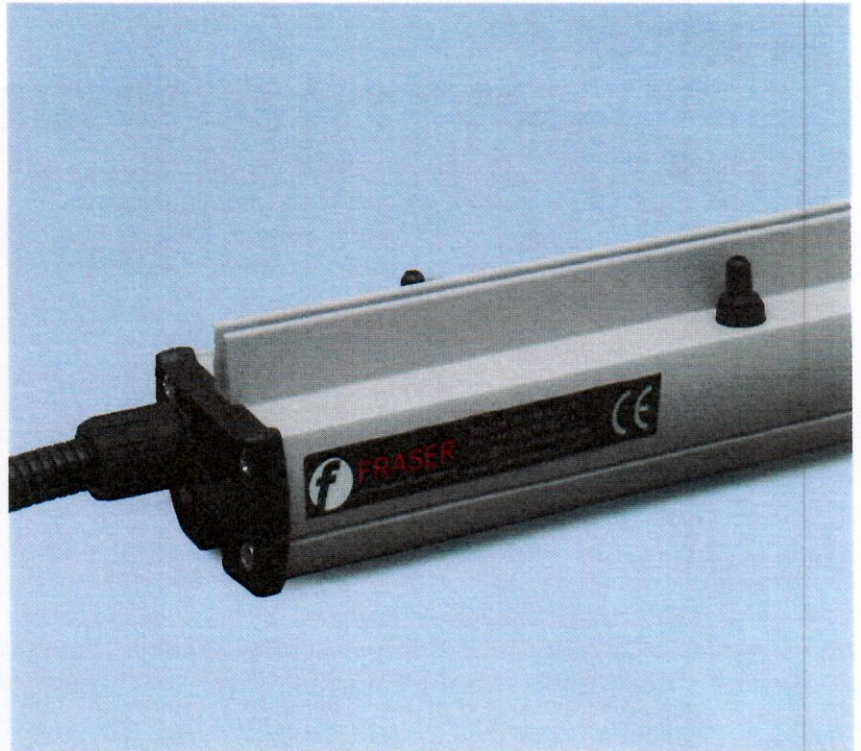
LONG RANGE

3850-SC IONSTORM BARS

IONSTORM uses advanced pulsed DC ionisation technology for static neutralisation at long distances without air assistance.

Ionstorm Static Elimination is used on winders, mouldings, assembly benches and hoppers - wherever long range static control is needed.

- > Ionstorm has been designed to optimise static neutralisation performance at distances between 200mm and 1m.
- > Market leading performance and the proven reliability of Fraser.
- > Fully controllable output with lockable settings.
- > Unique, double-wall separation of the positive and negative polarities for reliability and low maintenance.
- > Long life tungsten emitters. Replaceable if damaged or worn.
- > It is the essential tool when you demand long range, high performance static control.
- > There are two models available - 3850SC & 3850HP-SC. Please see page 2 for details.



Specification

Construction:	Rigid easy-to-clean body.
Size:	Length to 5m in one rigid bar. Can be joined together to make bars up to 10m.
Emitters:	Made of tungsten in a F.R. ABS housing. Replaceable if lost or damaged.
Cable	In a protective nylon conduit, 2m standard. Up to 10m can be specified provided that it is within maximum load.
Connections:	Screw connectors for fast connection to Controller. Multiple bars can be powered by one controller with use of a connector box.
Mounting:	Adjustable M6 x 25mm "T" pieces in slot.
Controller:	Powered by 3700SC Controller.
Environment:	60°C max. 70% rH non-condensing max.

BOUSSEY CONTROL EUROPE - Jacob Lacopstraat 36 Bus 101 - 9700 Oudenaarde - Belgium

☎ +32 55 423953 - 📠 + 32 55 612101

Email: info@boussey-control.eu – Site Internet: www.boussey-control.com

How it works:

The IONSTORM bar emits positive and negative ions from dedicated emitters. The pulsing action propels the ions towards the object to be neutralised.

The ionised air supplies ions to neutralise the charge in the object. The higher the static charge, the more ions are attracted by the object. The IONSTORM bar is powered by a 3700SC IONSTORM controller.

3850-SC

Standard bar with emitters at 125mm pitch. Lengths in multiples of 250mm up to 5m.

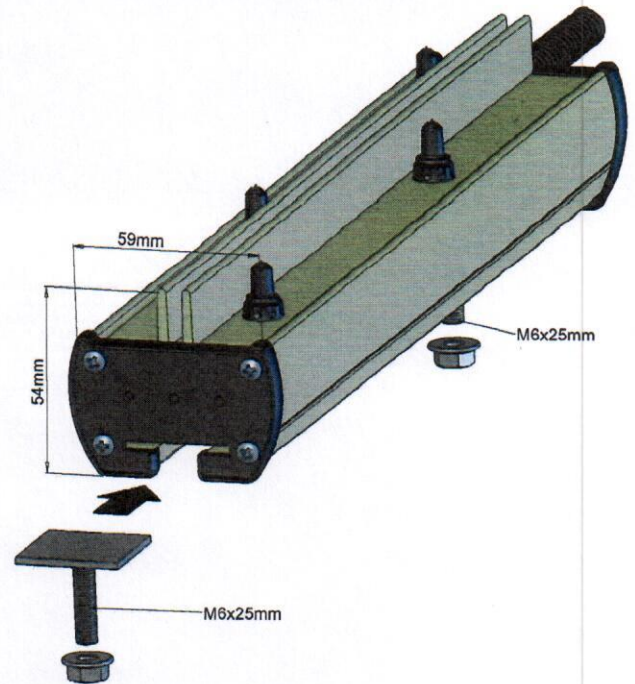
3850HP-SC

Higher performance version with emitters at 75mm pitch. Better than the standard 3850-SC at all ranges up to 750mm. Available in lengths of 175mm, 500mm, 650mm and multiples of 150mm up to 5m.

Maximum Load per 3700-SC Controller:

3850-SC - 15m of Bar and Cable.

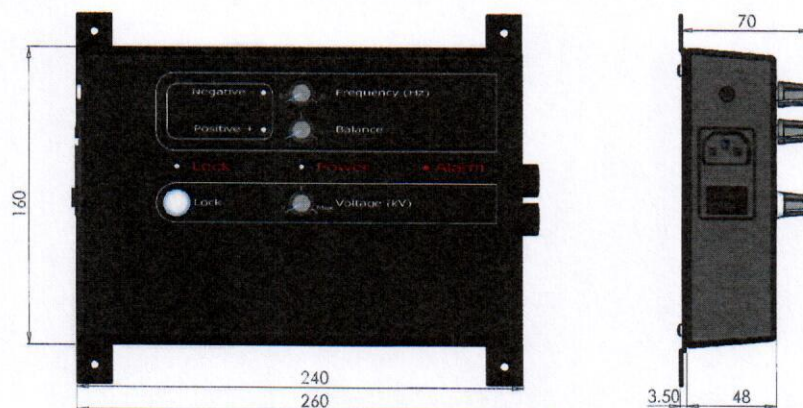
3850HP-SC - 12m of Bar and Cable.



3700SC IONSTORM Controller Specification:

Range:	Set slow frequency for distances up to 1m, and a faster frequency for closer distances, e.g. 300mm.
Balance:	If the static charge varies, set a balanced output. If the static is constant, the balance can be adjusted 80:20 in each polarity for even better performance.
Power:	Adjustable from 0-14kV. Totally shock proof.
Supply Voltage:	115V 50/60Hz, 230V Hz, 24VDC.
Alarm:	Shows Correct function.
Remote Control:	Available through DIN Connector for on/off and alarm.
Size:	220mm x 180mm x 70mm, including control knobs etc.

Dimensions:



BOUSSEY CONTROL EUROPE - Jacob Lacopstraat 36 Bus 101 - 9700 Oudenaarde - Belgium

+32 55 423953 - +32 55 612101

Email: info@boussey-control.eu - Site Internet: www.boussey-control.com