

AIR BLOWERS

2010 IONISED AIR BLOWERS

Model 2010 Ionised Air Blowers are long distance static eliminators with a robust aluminium construction and powerful ionisation performance.

2010 Blowers produce a high volume of ionised air to neutralise static charges in a wide variety of industrial applications.

- > Robust aluminium construction for a long trouble-free life.
- > Ionisation is provided by two 1250 Bars, mounted in the "mouth" for fast, market-leading static neutralisation.
- > Sizes available - from 305mm, 500mm then up to 2m in steps of 250mm.
- > The Ionised air leaves the blower and expands at approximately 15° in both axes.
- > Swivel L brackets allow for versatile mounting.



Specification

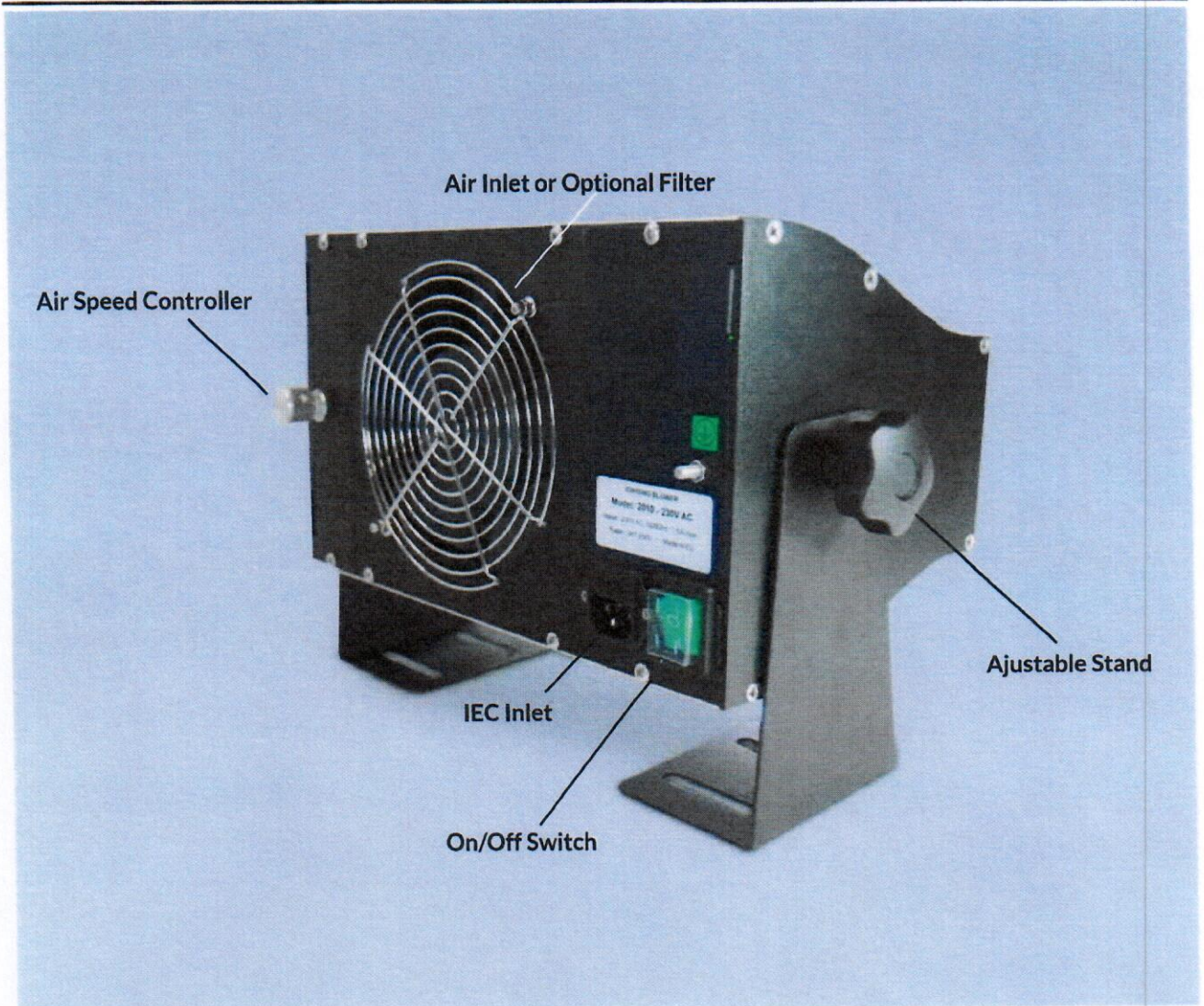
Length:	Blower length from 305mm, 500mm then up to 2m in 250mm steps.
Cable:	IEC connector and 2m mains cable.
Max. Temperature:	60°C.
Fans:	One axial fan per 250mm. Rated at 50,000 hours. Flow rate: 5600 lit/min per fan/250mm.
Safety:	100 MOhm resistance for shockless operation. Current limited to 5mA.
Power Unit:	Integrated Power Unit.
Speed Control:	Manual adjustable fan speed control to suit application.
Electrical:	115V or 230V 50/60Hz. Please specify. Consumption 250mm: 80W. Then 40W per extra 250mm.
Static Eliminators:	Removable from the front for ease of servicing.
Options:	Filters.

BOUSSEY CONTROL EUROPE - Jacob Lacopstraat 36 Bus 101 - 9700 Oudenaarde - Belgium

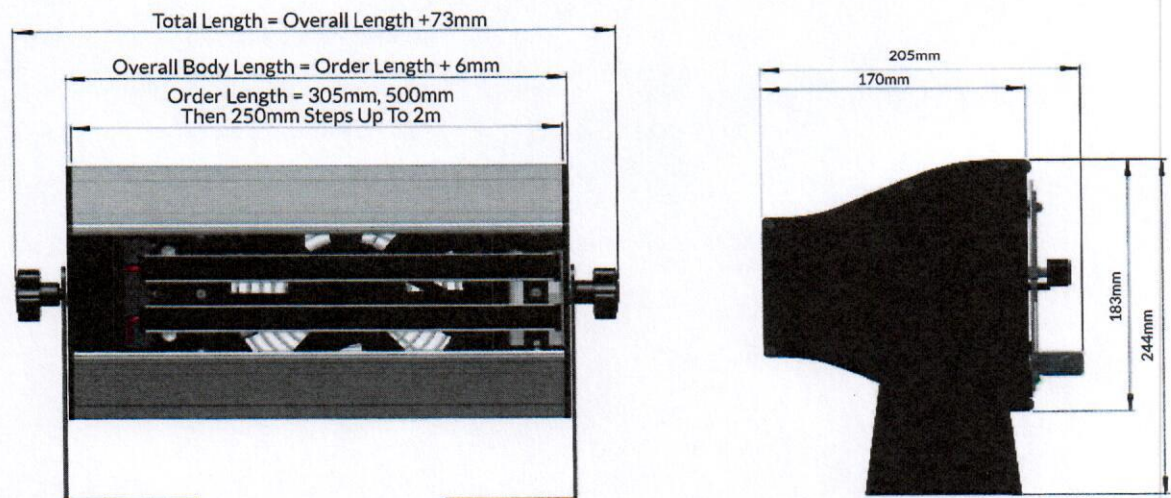
☎ +32 55 423953 - 📠 + 32 55 612101

Email: info@boussey-control.eu – Site Internet: www.boussey-control.com

Illustration



Dimensions



BOUSSEY CONTROL EUROPE - Jacob Lacopstraat 36 Bus 101 - 9700 Oudenaarde - Belgium

☎ +32 55 423953 - 📠 + 32 55 612101

Email: info@boussey-control.eu - Site Internet: www.boussey-control.com